

LAHORE UNIVERSITY OF MANAGEMENT SCIENCES  
Department of Electrical Engineering

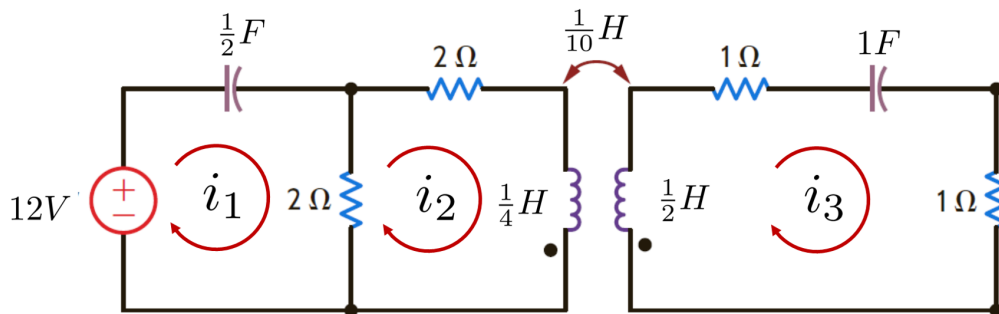
EE240 Circuits I  
Quiz 03

**Total Marks:** 10

**Time Duration:** 20 minutes

**Question 1** (5 marks)

Consider the network in the Figure below, where the coupled inductors are marked with the dots. Write down the network equations using Kirchhoff voltage law.



**Question 2** (5 marks)

Determine  $V_o$  in the circuit below using source transformation.

