

LAHORE UNIVERSITY OF MANAGEMENT SCIENCES
Department of Electrical Engineering

EE 240 Circuits I
Quiz 1

Name: _____

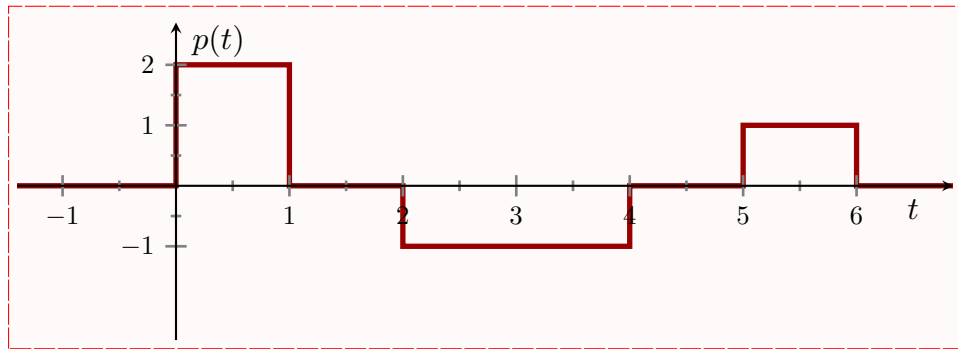
Campus ID: _____

Total Marks: 10

Time Duration: 15 minutes

Question 1 (4 marks)

The power (in Watts) dissipated in a circuit element is plotted against time (in seconds) below. Calculate and plot the energy against time.



Question 2 (2 marks)

A lightning bolt carrying 30,000 A lasts for 50 micro-seconds. If the lightning strikes an airplane flying at 20,000 feet, what is the charge deposited on the plane?

Question 3 (4 marks)

Determine whether the source V_s in the given network is supplying or absorbing power. Additionally, calculate the amount of power involved.

