

LAHORE UNIVERSITY OF MANAGEMENT SCIENCES
Department of Electrical Engineering

EE 240 Circuits I
Quiz 3

Name: _____

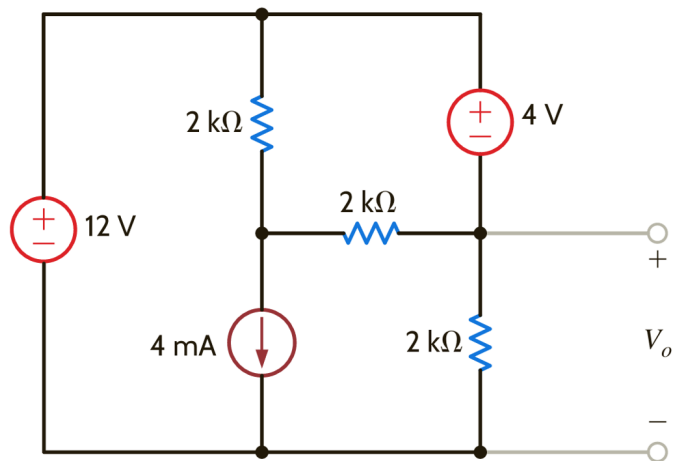
Campus ID: _____

Total Marks: 10

Time Duration: 15 minutes

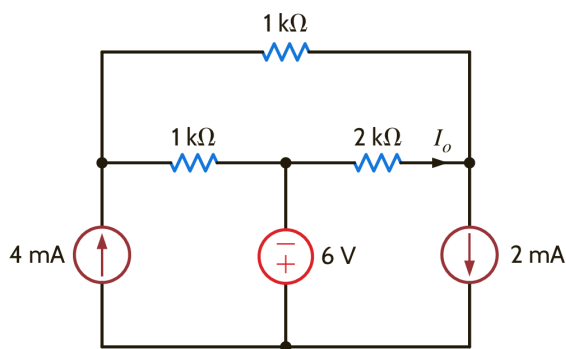
Question 1 (25 marks)

Find V_o in the following circuit. The question does not require any tedious calculations. For the following network of resistors, find the equivalent resistance across terminals A and B.



Question 2 (5 marks)

Apply nodal analysis to find I_o in the following circuit.



Question 3 (3 marks)

Apply nodal analysis to find V_x in the following circuit.

