

LAHORE UNIVERSITY OF MANAGEMENT SCIENCES
 Department of Electrical Engineering

EE 240 Circuits I
 Quiz 4

Name: _____

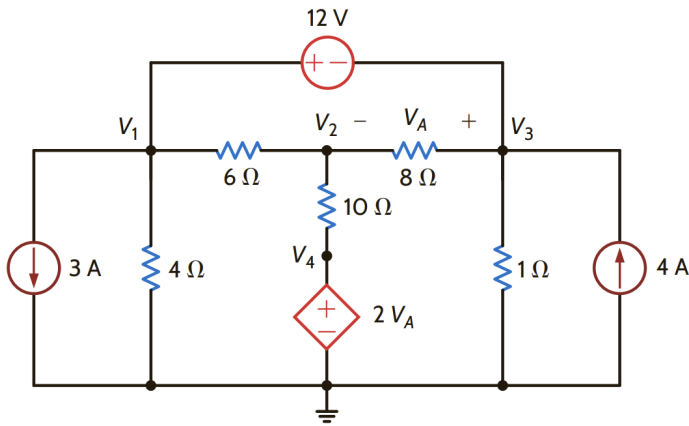
Campus ID: _____

Total Marks: 10

Time Duration: 15 minutes

Question 1 (7 marks)

Using nodal analysis, formulate circuit equations that can be used to solve for the node voltages V_1 , V_2 , V_3 , and V_4 in the given circuit. We require you to formulate three equations in terms of V_1 , V_2 , and V_3 . Note that $V_A = V_3 - V_2$.



Question 2 (3 marks)

Apply source transformation to calculate I_o in the following circuit.

